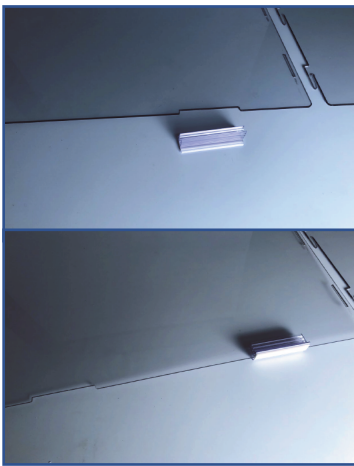
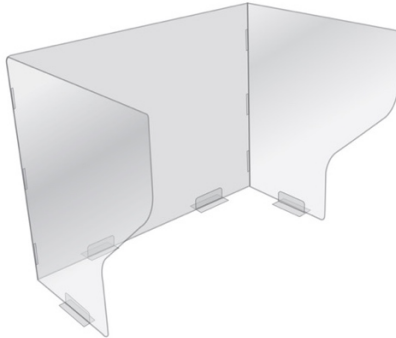


DESK SHIELD ASSEMBLY INSTRUCTIONS (SG-DESK-2215)

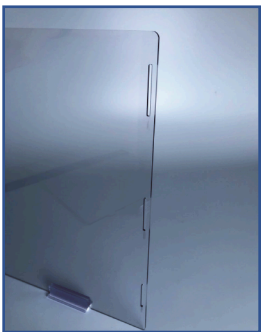


1. Remove protective liner from both sides of the 3 panels (front, left and right panels of the shield.)

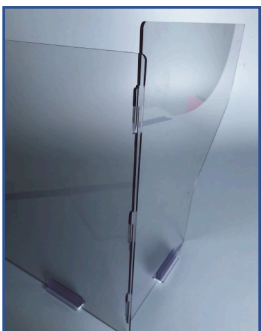
*Hint: If needed, use tape to help remove liner.



2. Fit adhesive gripper foot into notched areas on the 3 panels. (2 on front, 1 on each side)



3. Holding the front panel upright, slide the right panel's 3 connecting hooks through the slots on the front panel. (Adhesive side of gripper feet should face down on all both panels.)

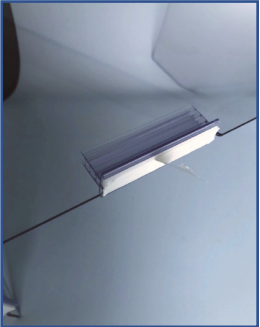


4. Gently slide the right panel down hooking the front panel until the two panels are even.

5. Repeat steps 3 and 4 using the left panel.



6. Slide assembled desk shield into preferred location.



7. Tip the front of the assembled desk shield upward until the bottom liner on the gripper feet can be removed. Remove liner from gripper feet on the front shield.

8. Repeat step 7 for gripper feet on Right and Left panels.



9. Gently set sneeze guard back down in desired location. Using firm even pressure press down on adhesive side of shield gripper feet in desired location.